

INTEGRATION SOLUTION



This slim-line taping module can be easily integrated to pick and place systems. The **OEM TM-50** is versatile with 8-56 mm tape width and has a dual stage fully adjustable universal sealer. It is a perfect solution for processes, such as vision in-tape and marking. The **OEM TM-50** can be customized for any particular application.

Features :

- Adjustable for 8-56 mm tape widths and pitches up to 24 mm
- Heat and PSA cover tape capabilities
- Dual stage heat shoes
- Sensor package including low cover tape sensor, carrier tape motion sensor, empty pocket sensor, and jam-in-track sensor



Options :

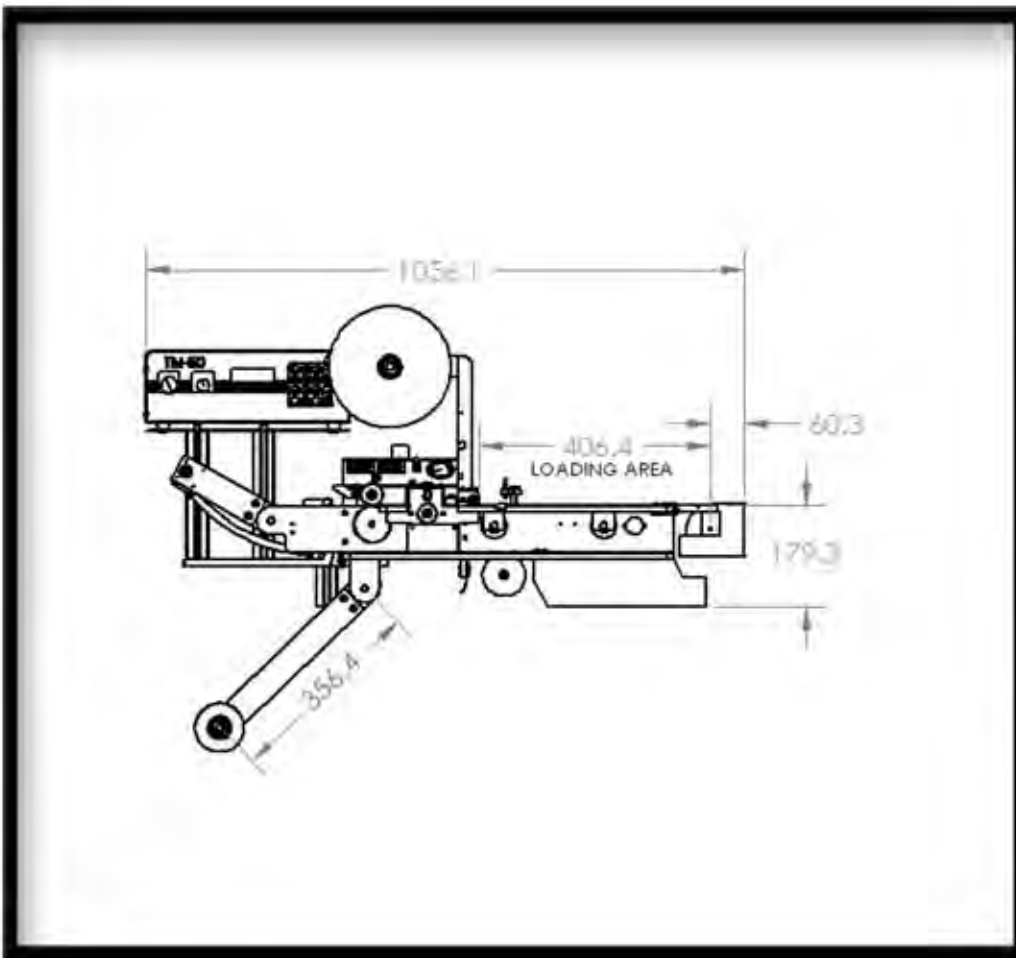
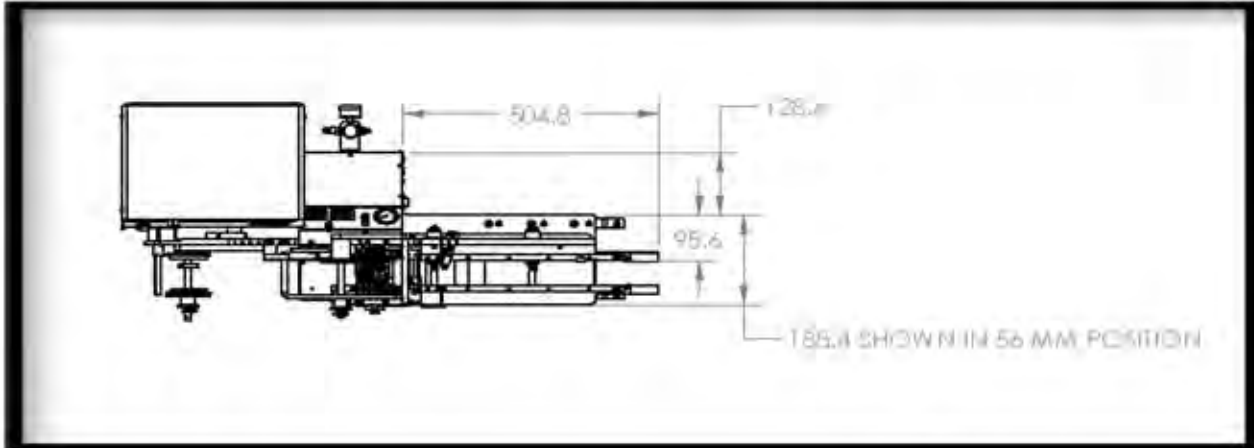
- Low carrier tape and pocket position sensor
- Controller location
- Feed and take-up reel positions
- Loading track length
- Mounting options
- Machine footprint
- Customized software and communication



V-TEK , Incorporated
 751 Summit Avenue
 Mankato, MN 56001
 (P) 507 387 2039
 (F) 507 387 2257

www.vtekusa.com

INTEGRATION SOLUTIONS



FEATURES:

- Independently controlled seal temperature for each side of the cover tape
- Heat and PSA sealer assembly
- Software controlled advance movement of carrier tape
- Current operating parameters and count are saved at power down and restored at power up
- Dimensions:
 - height 18" (46 cm)
 - width 42" (107 cm)
 - depth 16.5" (42 cm)
 - weight: 105 lbs/ 47.63 kg
- Power required:
 - 120/230 VAC, 50/60 Hz
- Compressed air:
 - 80 PSI



V-TEK , Incorporated
 751 Summit Avenue
 Mankato, MN 56001
 (P) 507 387 2039
 (F) 507 387 2257

www.vtekusa.com